



3000 Series

## DATA SHEET

Variable Area

# 3000 Series

Molded, Polycarbonate  
Purgemeters

The Brooks® 3000 Series is moulded of high-impact resistant polycarbonate. These purgemeters are available with 24 different air and water ranges and are supplied with scales in LPM Air, SCFH Air, CCM water and GPH water, all with 10:1 turndown ratios. The 3000 has been designed to maintain maximum pressures to 100 psig and temperatures to 150°F. These meters are particularly suited for purge applications. These economically engineered units have been designed to provide the highest quality with precision accuracy. These flowmeters are fitted with 1/8" FNPT inlet and outlet connections. An optional inlet or outlet control valve can be specified.

- Flow tube and body moulded of high-impact polycarbonate
- High quality construction
- Economy combined with accuracy
- Monitor or control air and water flows
- Flow ranges: Air 50 CCM to 100 LPM; Water 4 CCM to 40 GPH
- Supplied with easy-to-read 10:1 turn direct reading scales
- Ideally suited for OEM panel-mount applications
- Standard black body, custom colours available upon request

### Specifications

Accuracy	± 4% Full Scale
Temperature	150°F/65°C Maximum
Pressure	100 PSI/ 6.9 Bar Maximum

Materials of Construction:	
Body & Tube	Polycarbonate
Floats	Black Glass, Carbide, Stainless Steel or Aluminum
Fittings	Brass or 303 Stainless Steel
Seal Material	Buna-Nor Viton® fluoroelastomer
Valve (Optional)	Cartridge Type: Brass or 303 Stainless Steel

[View 3000  
Product Page](#)

  
ids  
industry

## 3000 Series Flow Ranges

SCFH of Air	Tube Code	LPM of Air	Tube Code
.1-1	3A00	0.05-0.5	3A12
.2-2.5	3A01	.1-1.2	3A13
.4-5	3A02	.4-5	3A14
1-11	3A03	2-2.5	3A23
2-22	3A04	1-10	3A15
4-60	3A06	2-30	3A16
10-110	3A07	4-50	3A17
20-200	3A08	10-100	3A18
CCM of Water	Tube Code	GPH of Water	Tube Code
5-110	3L10	2-2.5	3L28
20-300	3L11	.4-5	3L19
		1-10	3L20
		2-25	3L21
		4-40	3L22

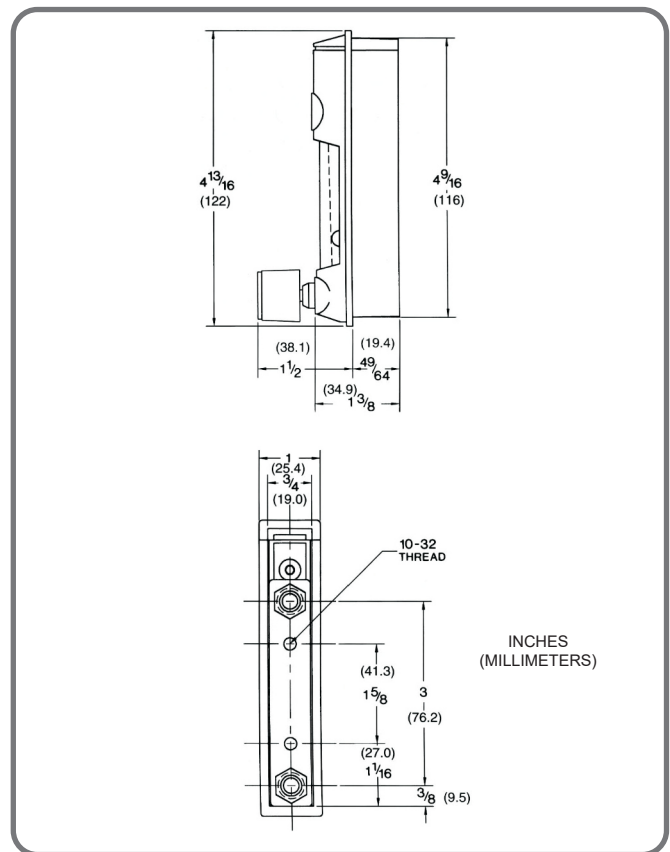
## Model Code

Code/Description	Code/Option	Option Description
I. Base Model Number	MR	Body/Tube Molded Polycarbonate
II. Tube Code	XXXX	From Table
III. Fittings	B	Brass
	S	Stainless Steel
IV. Valve	N	None
	V	Valve
	O	Outlet Valve (Vacuum Service Only)
V. Seals	BN	Buna-N w/Brass
	VT	Viton w/Stainless Steel
VI. Options	-NL	No Logo

Sample Standard Model Code	I	II	III	IV	V	VI
MR	MR	3A07	B	V	BN	-NL

## Product Dimensions



- Additional Options
- Certificate of Conformance
  - ICC
  - Paper Tag
  - Stainless Steel Tag

**Instruments Direct Services Ltd**  
 Unit 8, The Courtyard,  
 Stenson Road,  
 Coalville,  
 LE67 4JP

**Phone:** 01530 832 500  
**Web:** www.industry.co.uk

